

COMPONENTS

Base

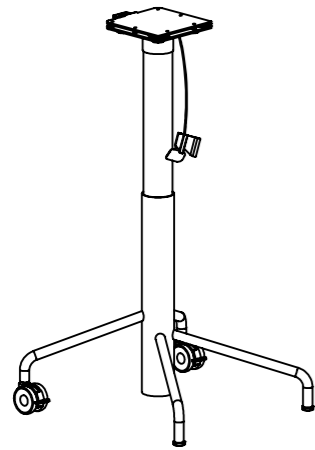
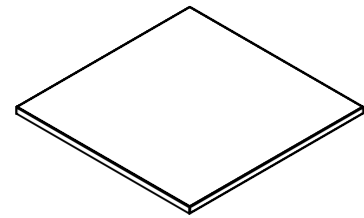


Table top

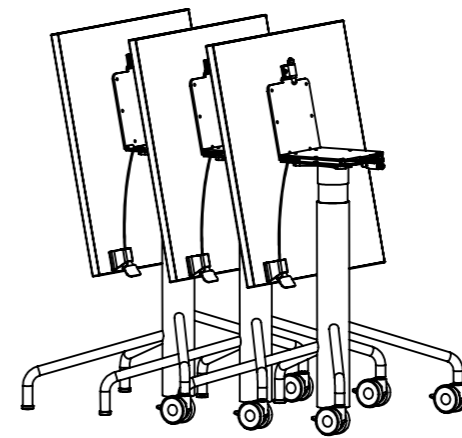
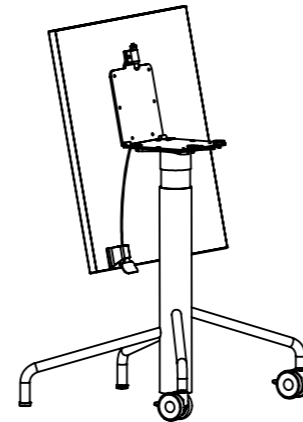


Format Table tops
*650x650 mm
*700x600 mm

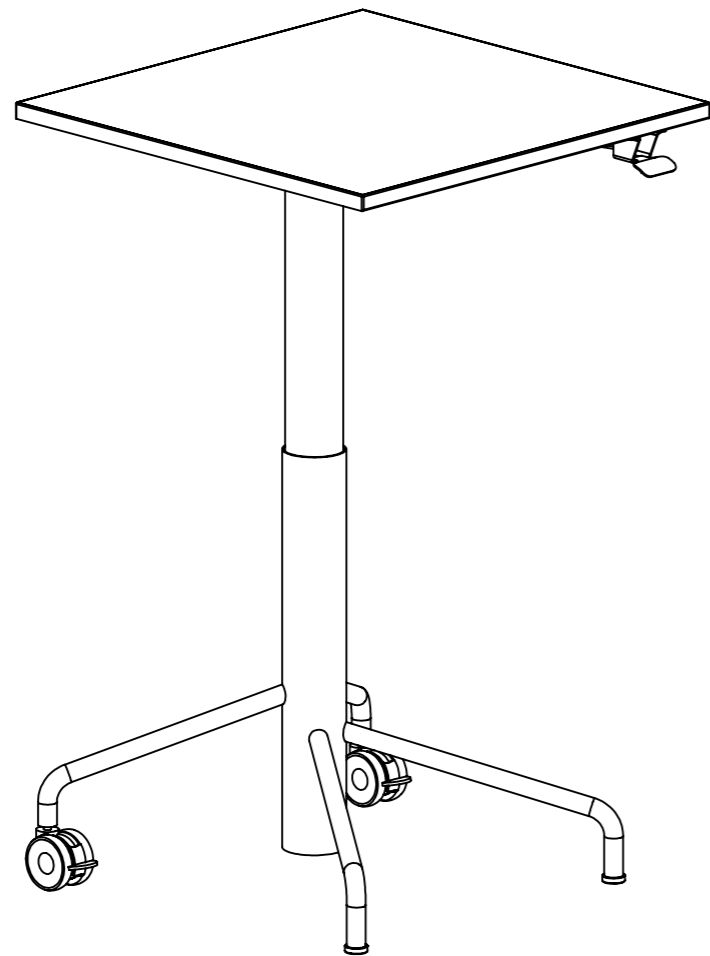
Screw
8 psc. 5,0x20



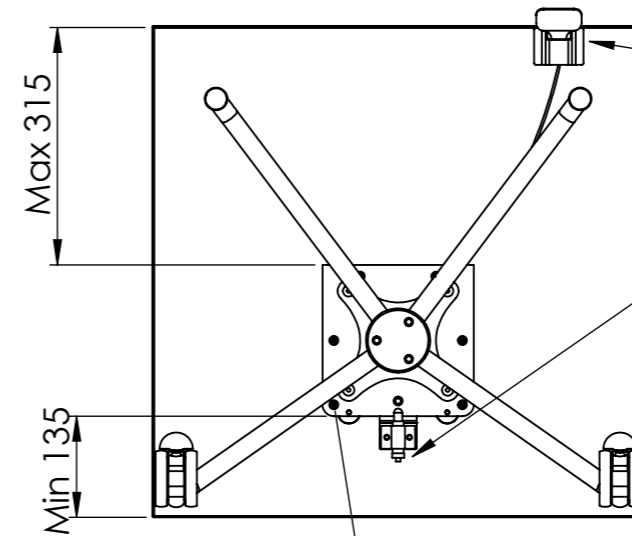
Table in unfolded state



Put the table top on the base and use the screw to fasten. 6 screws for base and 2 screws for handle.



VIEW FROM BELOW



Place the handle on opposite side as the lock. Be careful about the cable, try to keep it as straight as possible.

