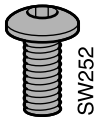


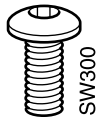
4x

FT2323



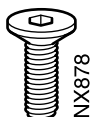
4x

SW252



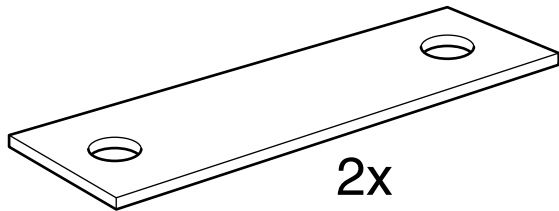
8x

SW300



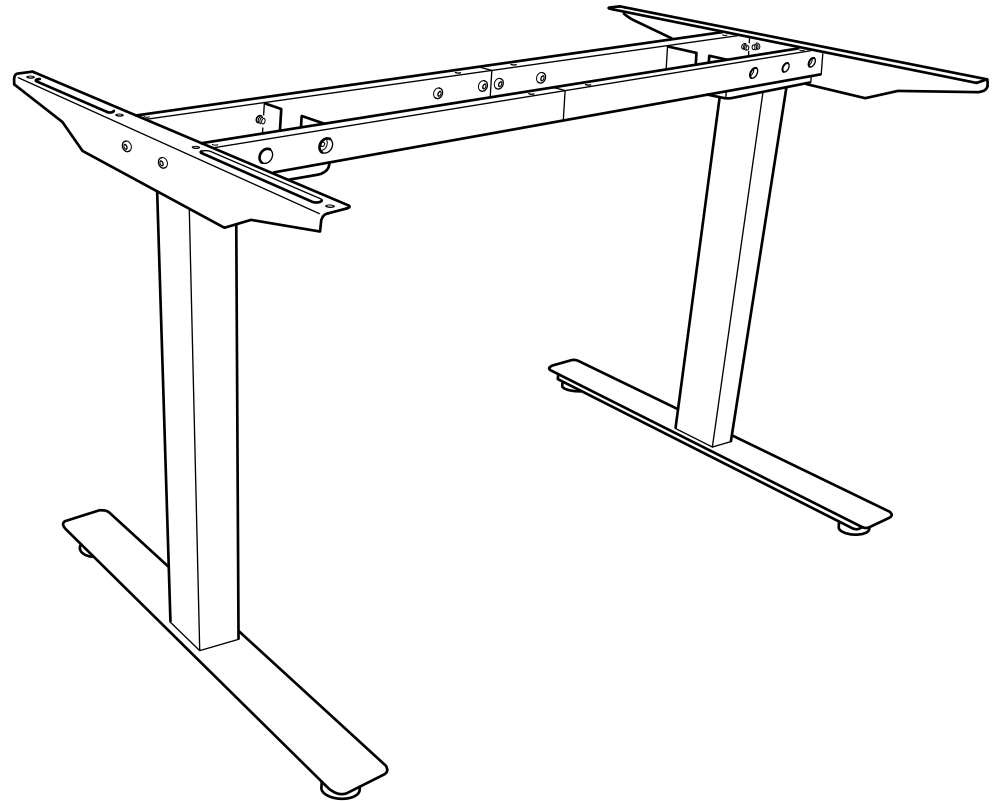
12x

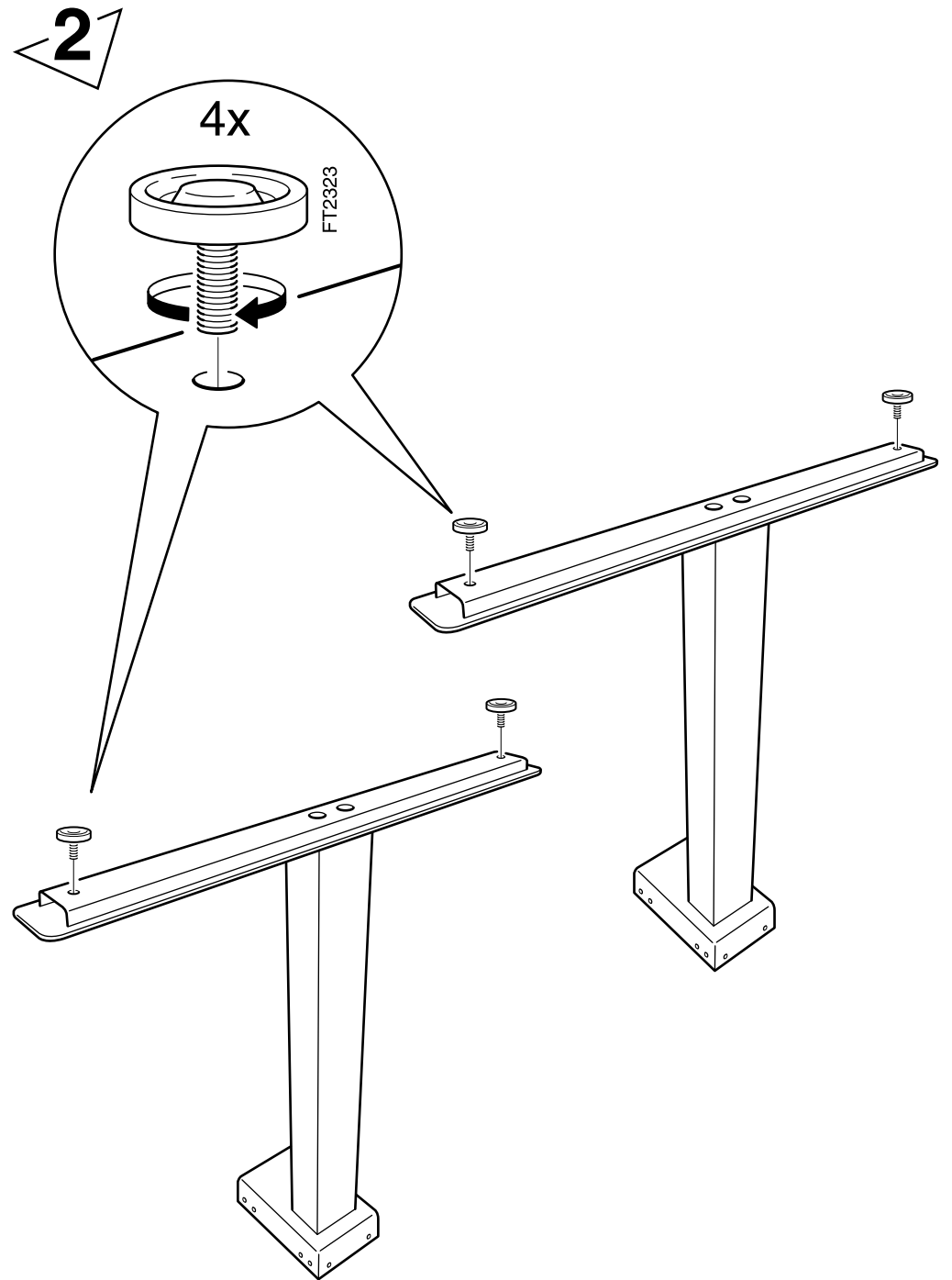
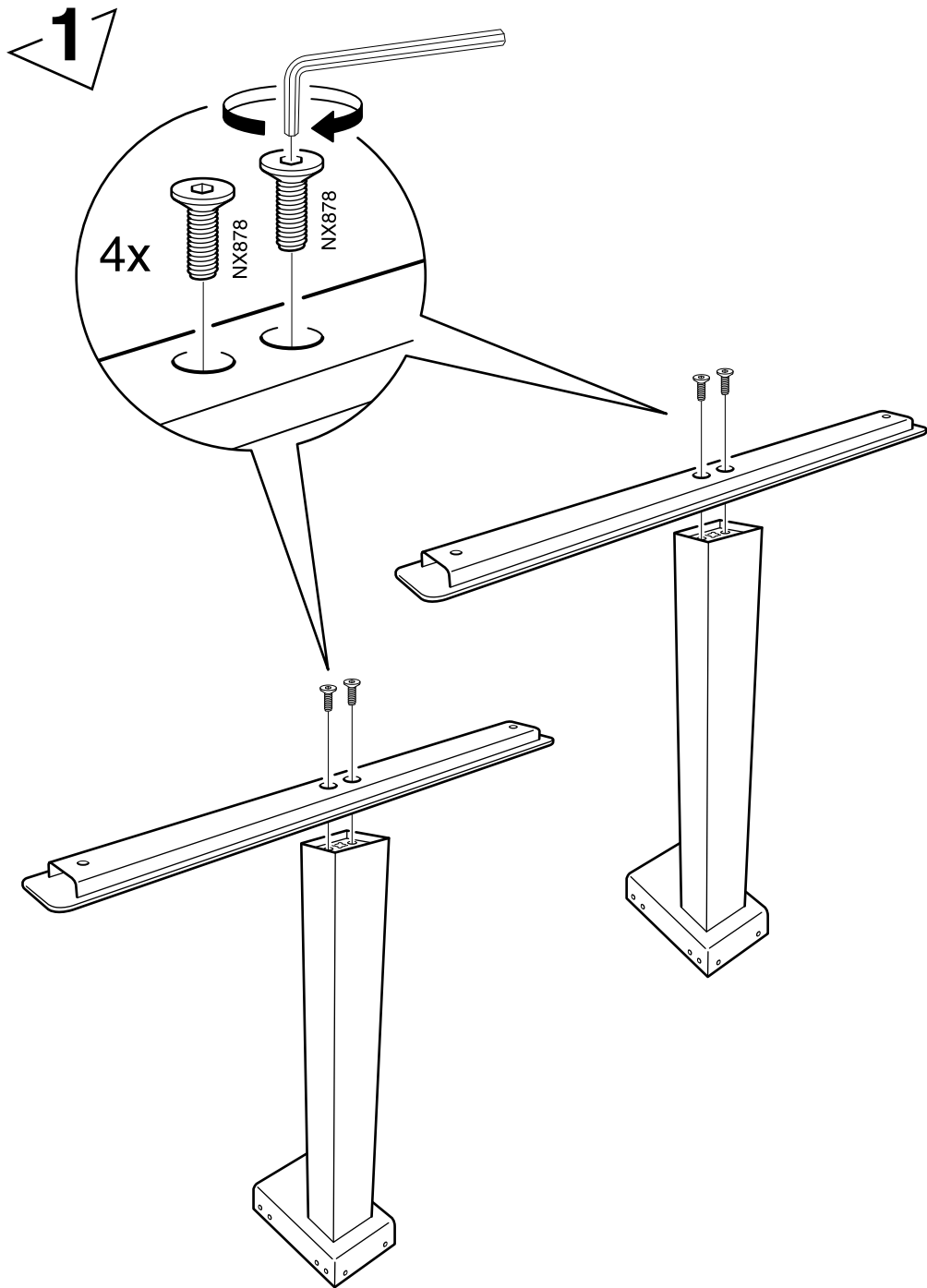
NX878

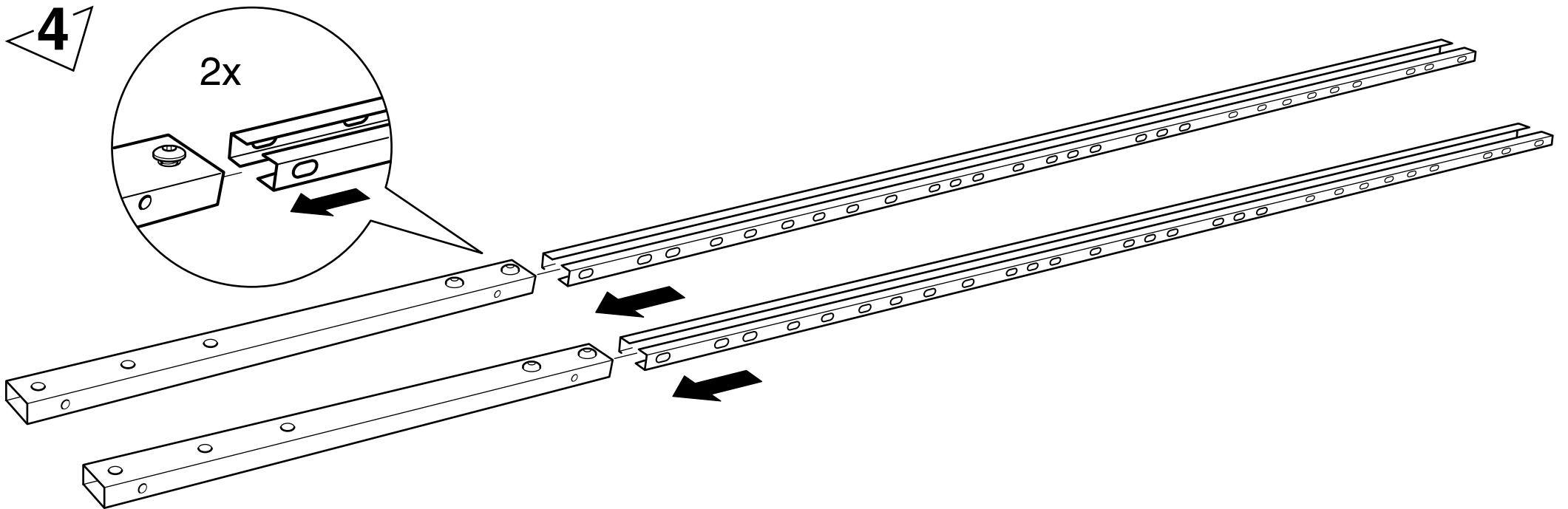
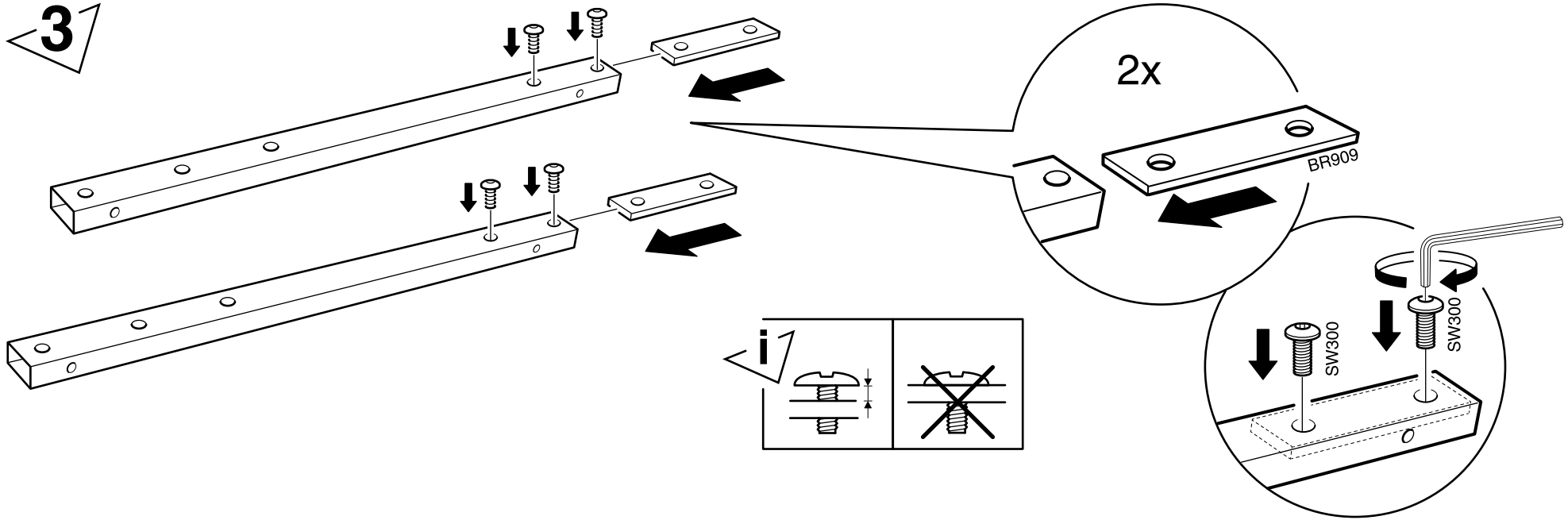


2x

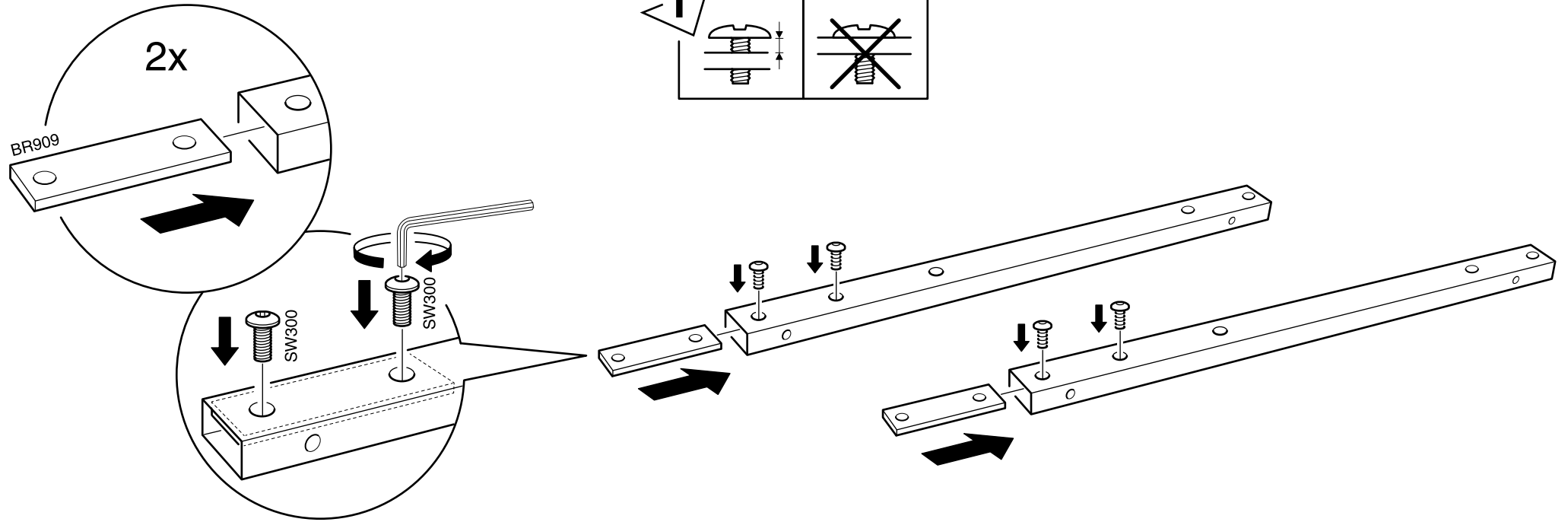
BR909



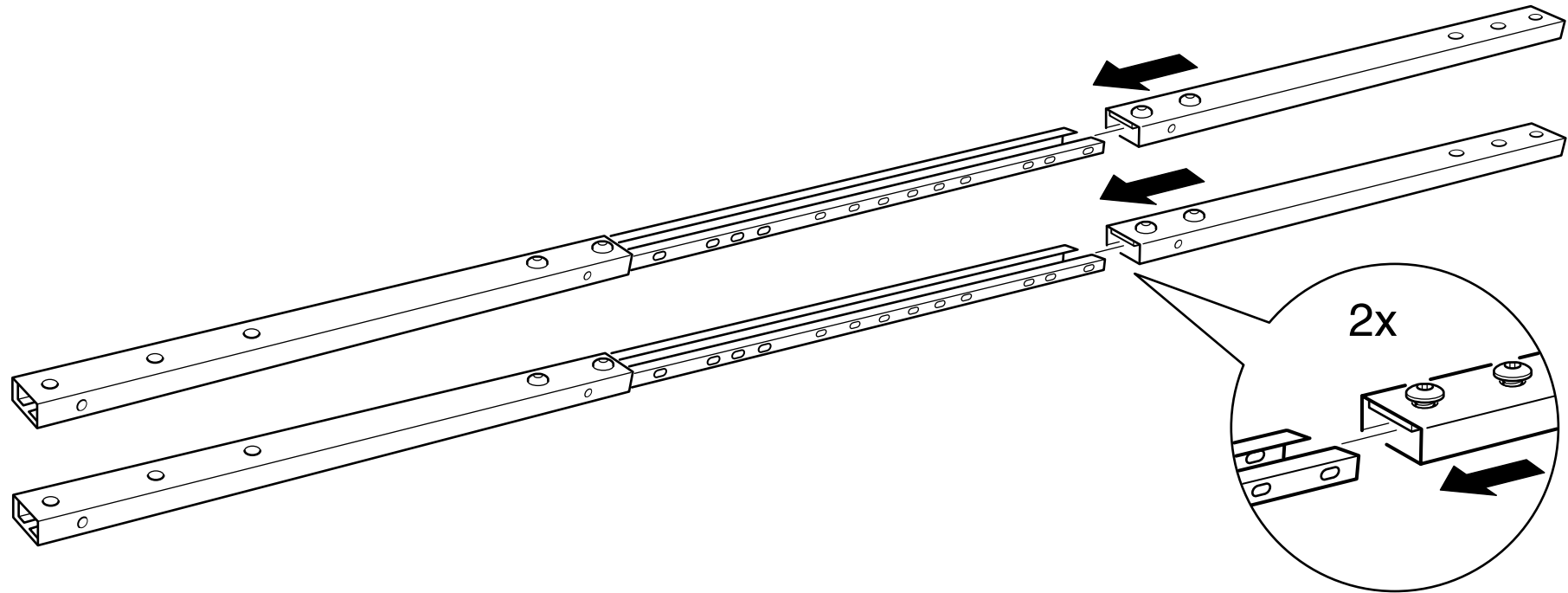




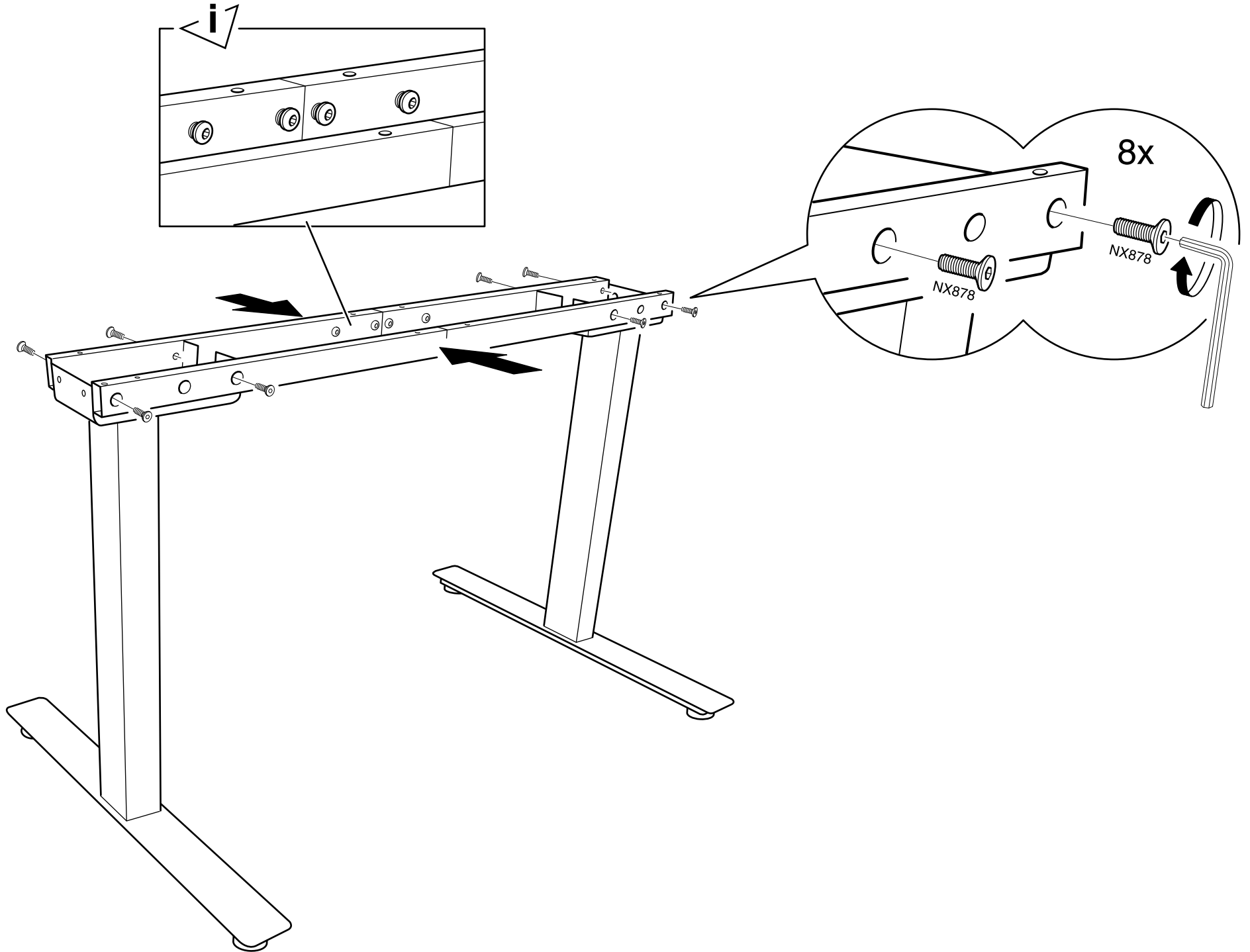
5



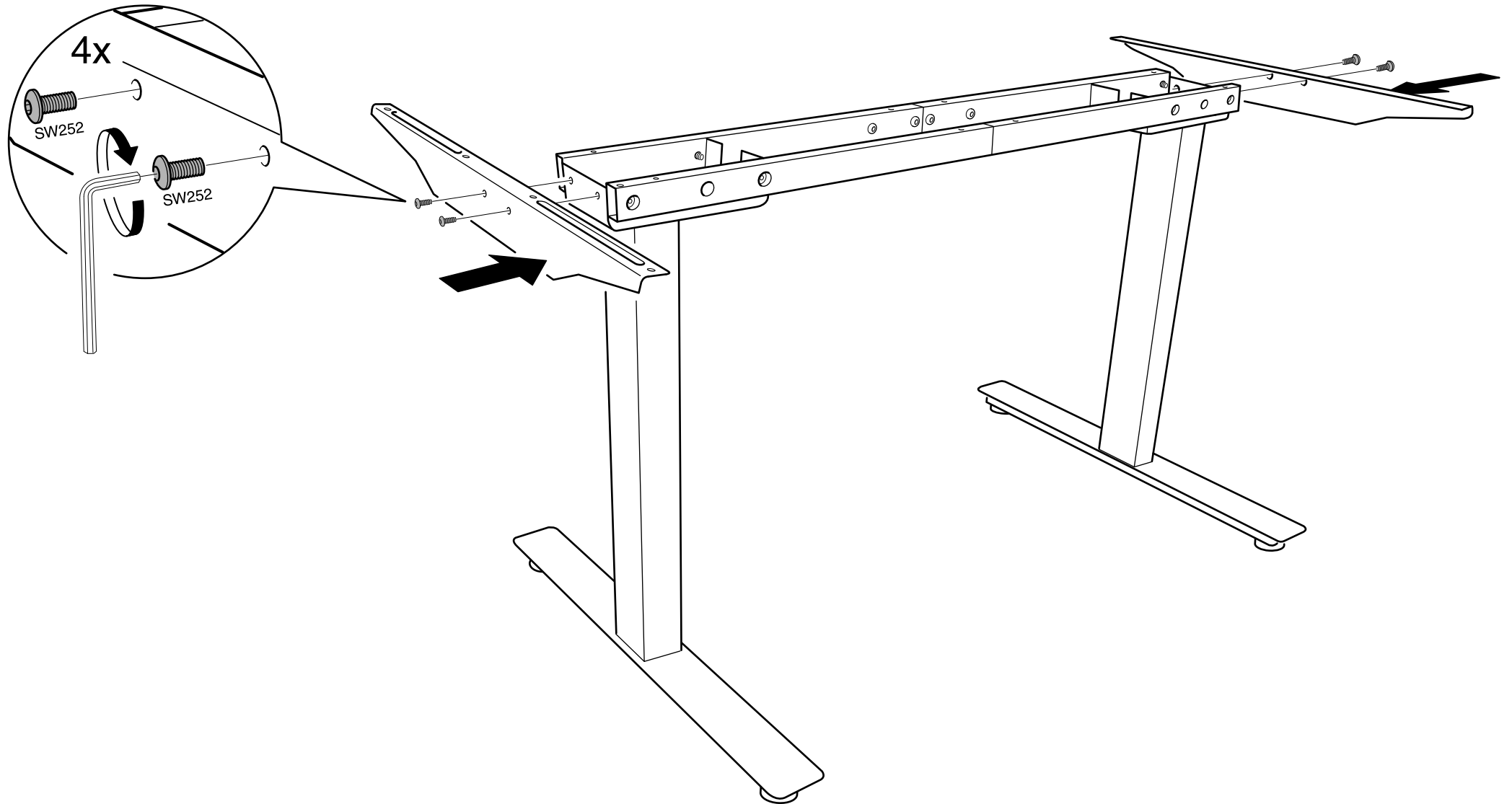
6



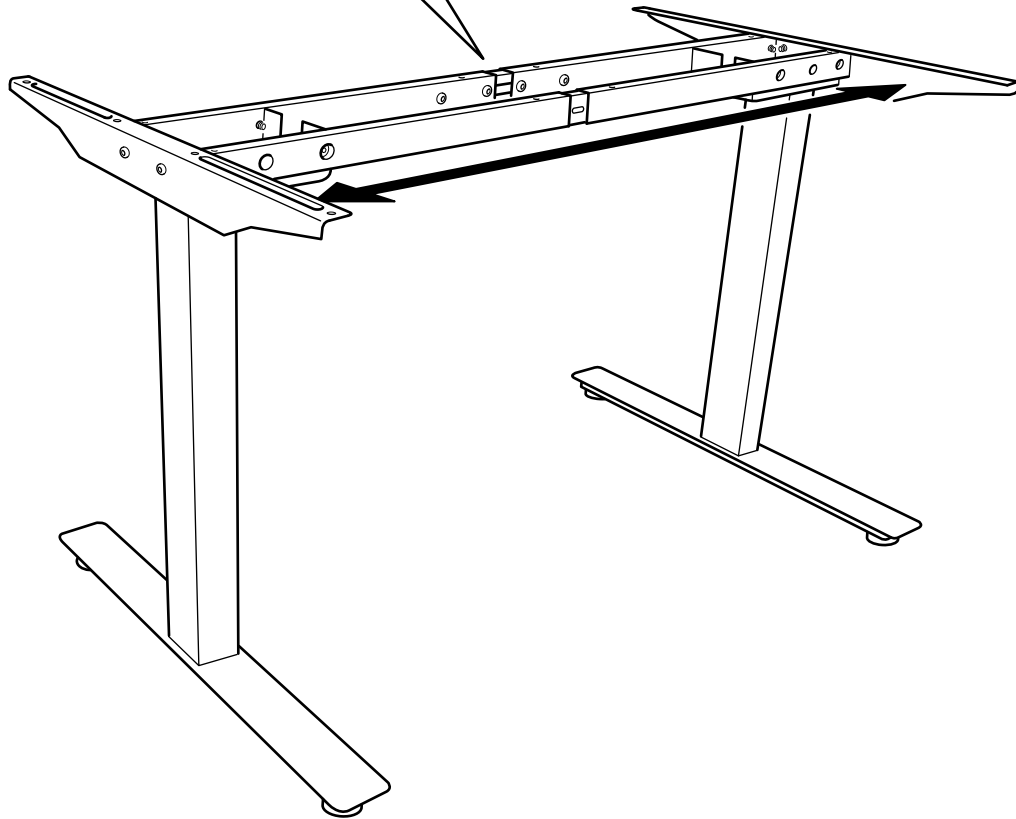
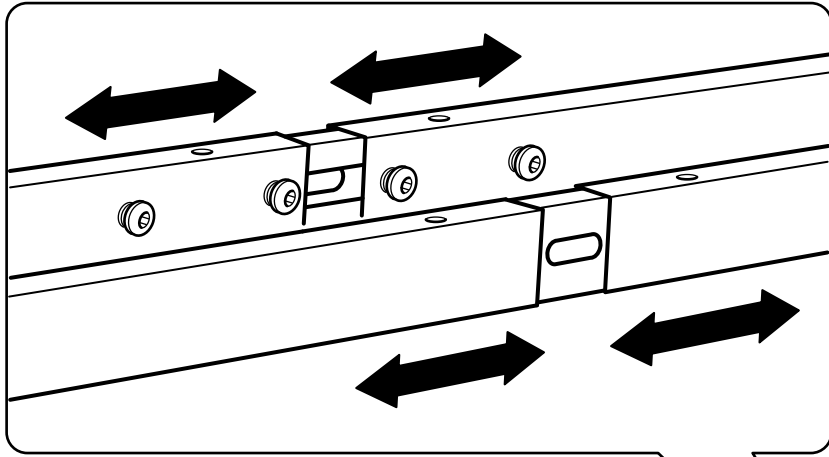
7



8

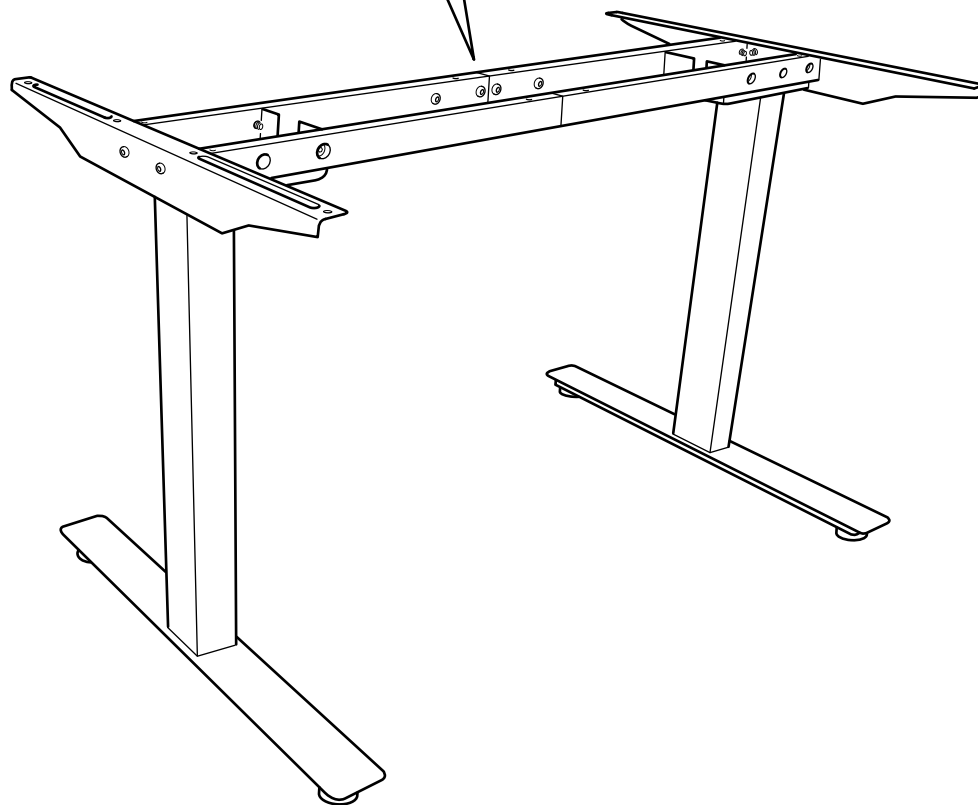
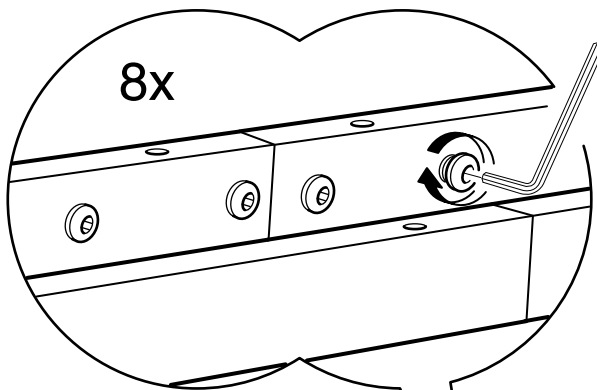
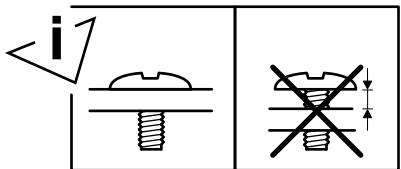


9

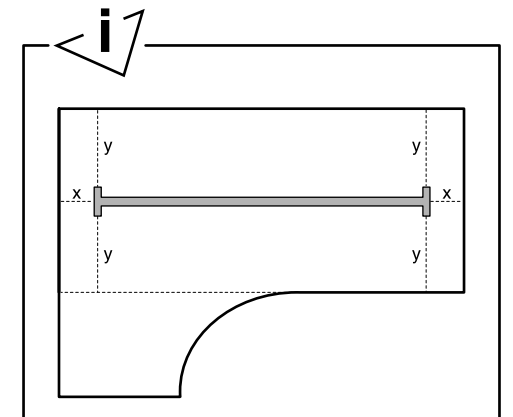
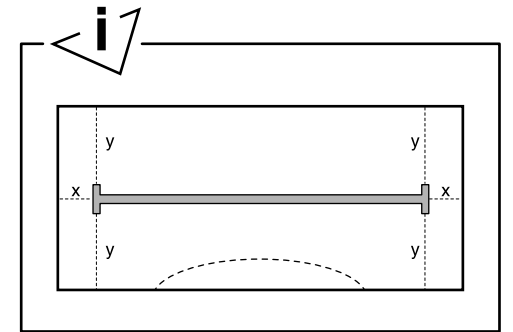
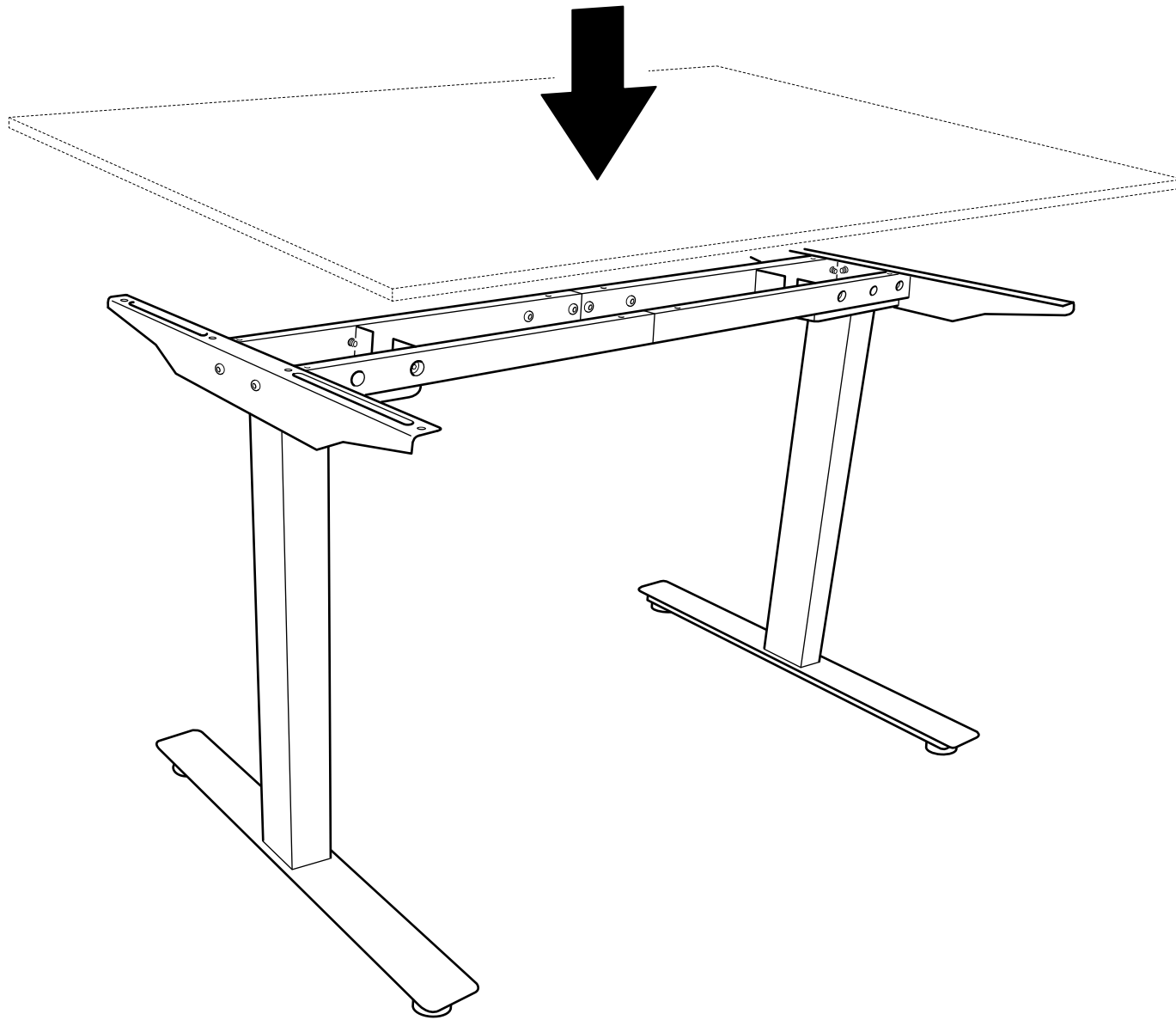




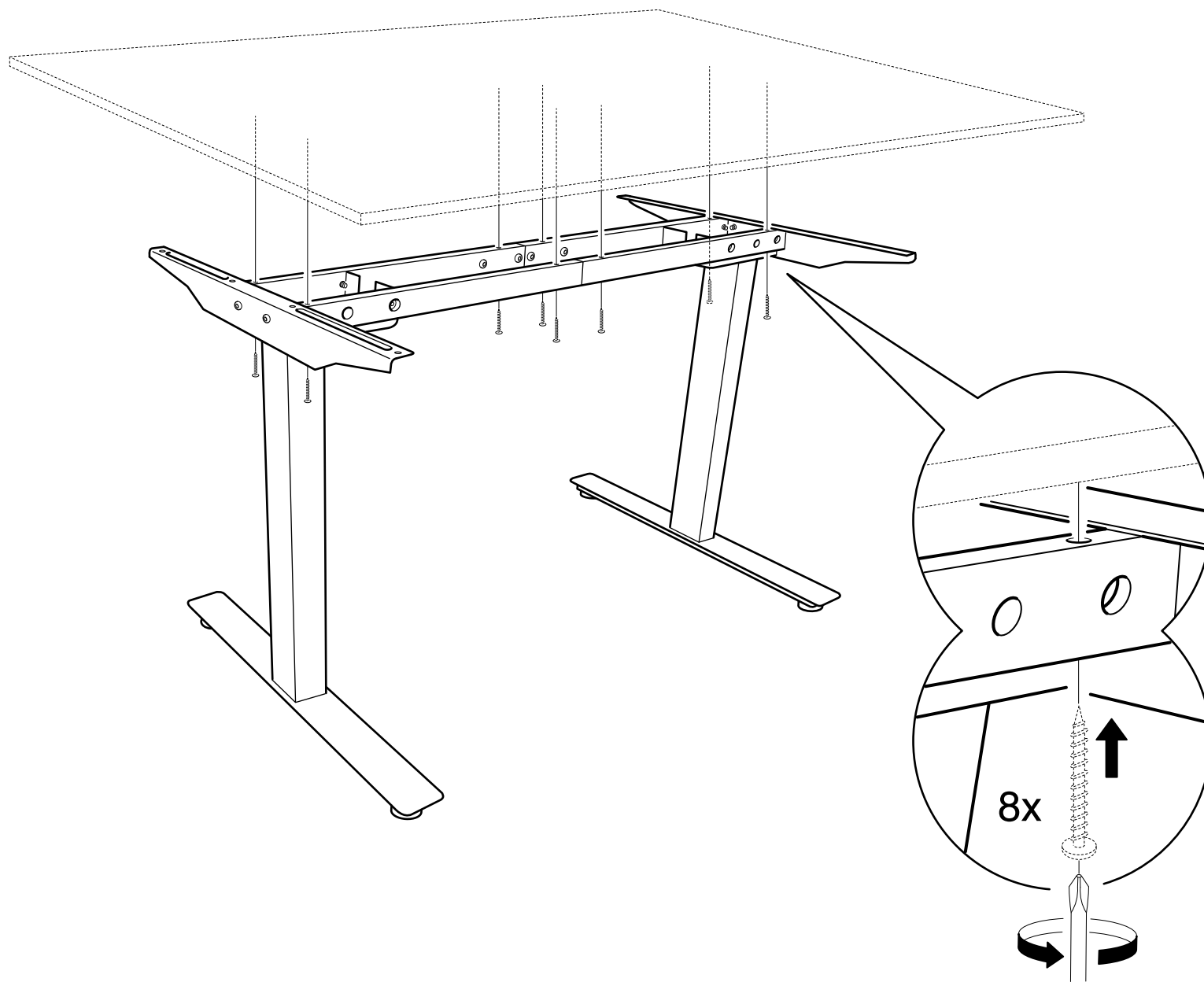
10



11



12



13

