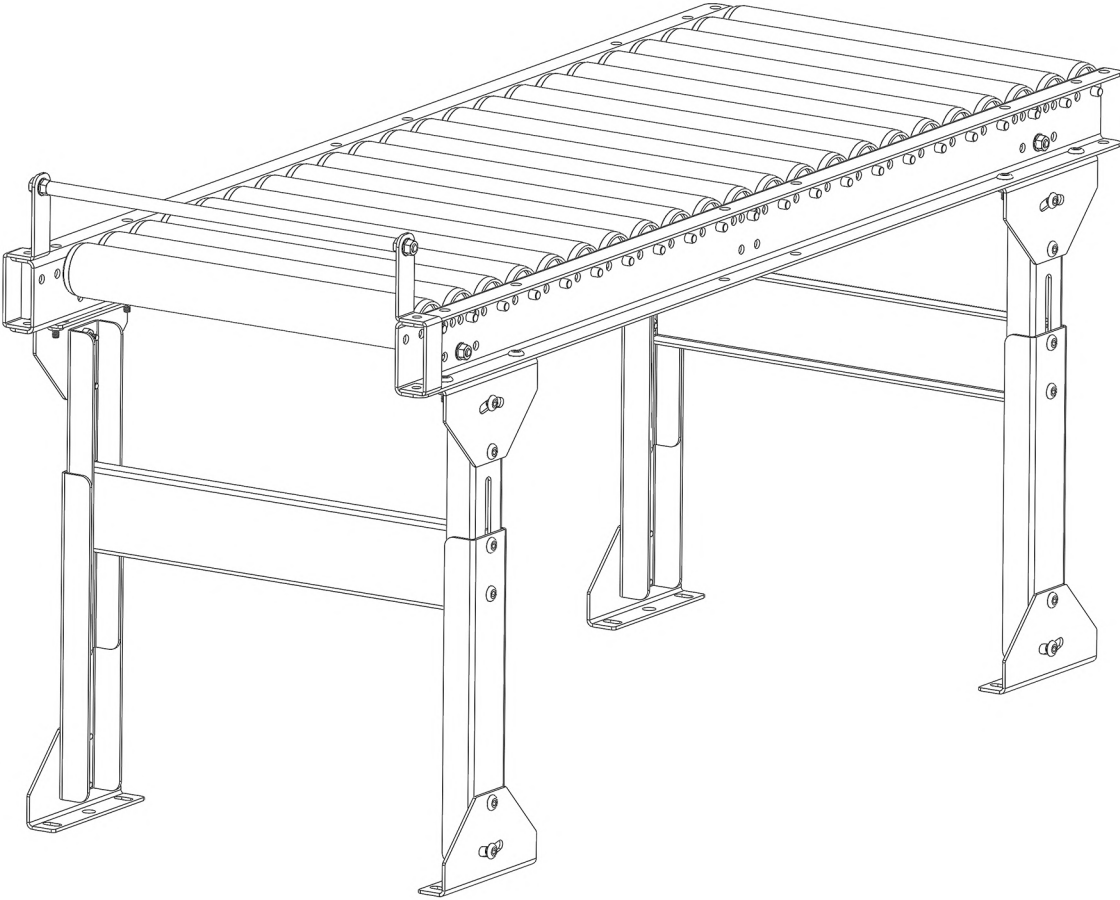
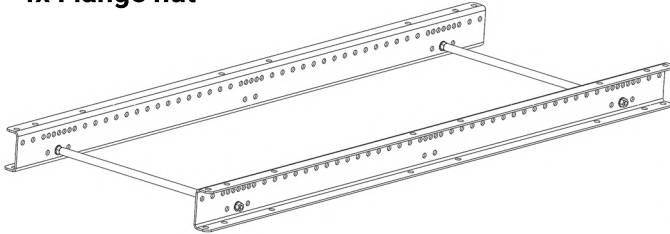


Box-conveyor



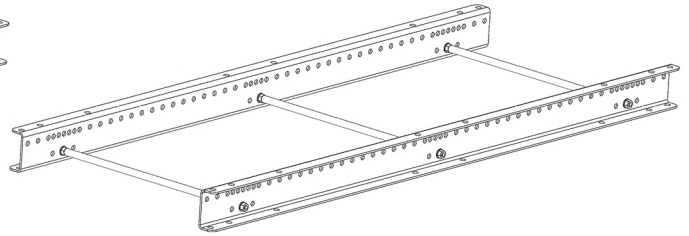
Box-conveyor

2x Side profile
2x Distance tube
4x Flange nut



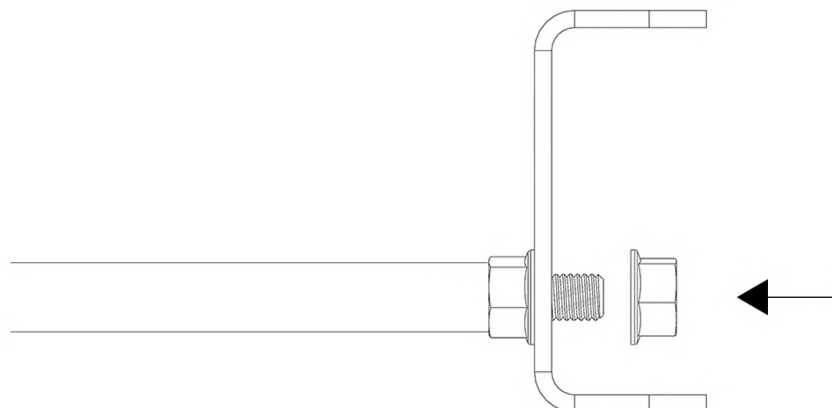
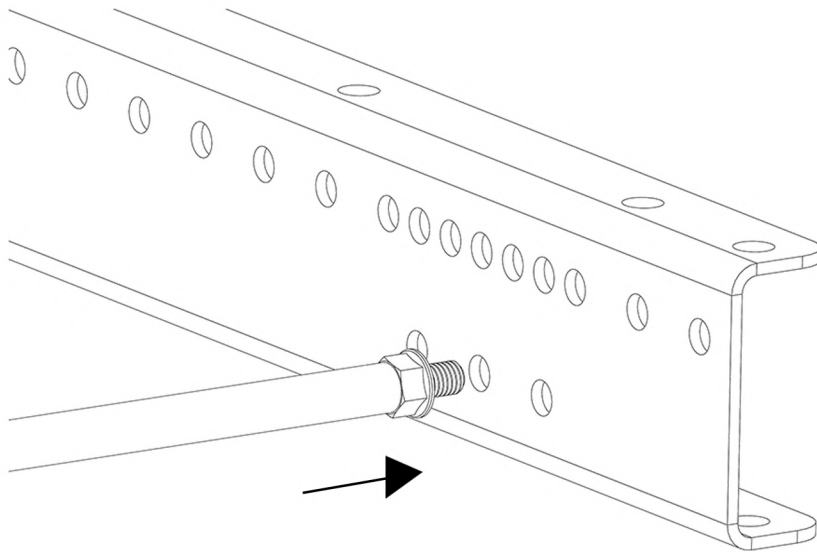
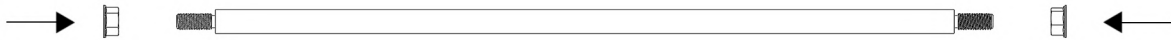
Length: 1200mm

2x Side profile
3x Distance tube
6x Flange nut

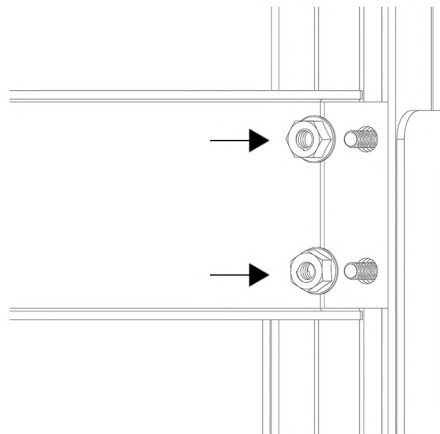
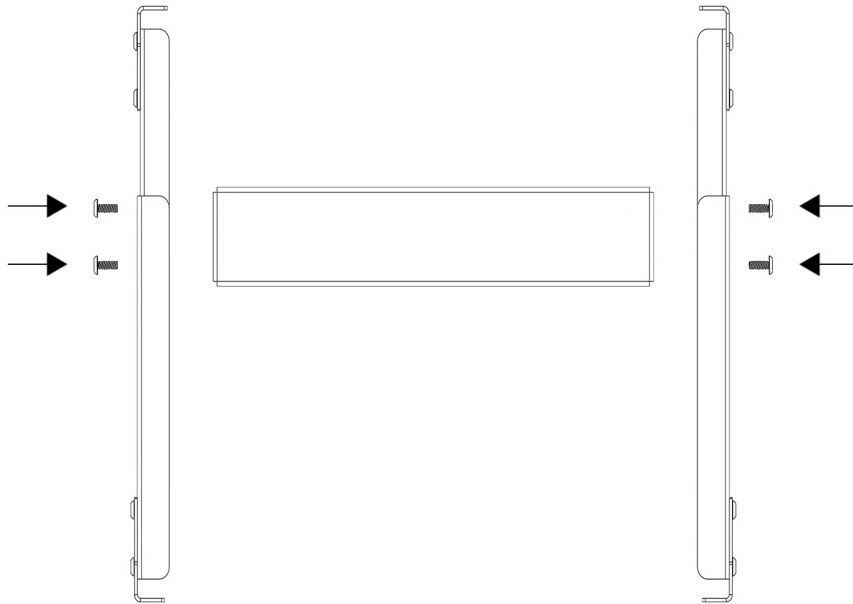
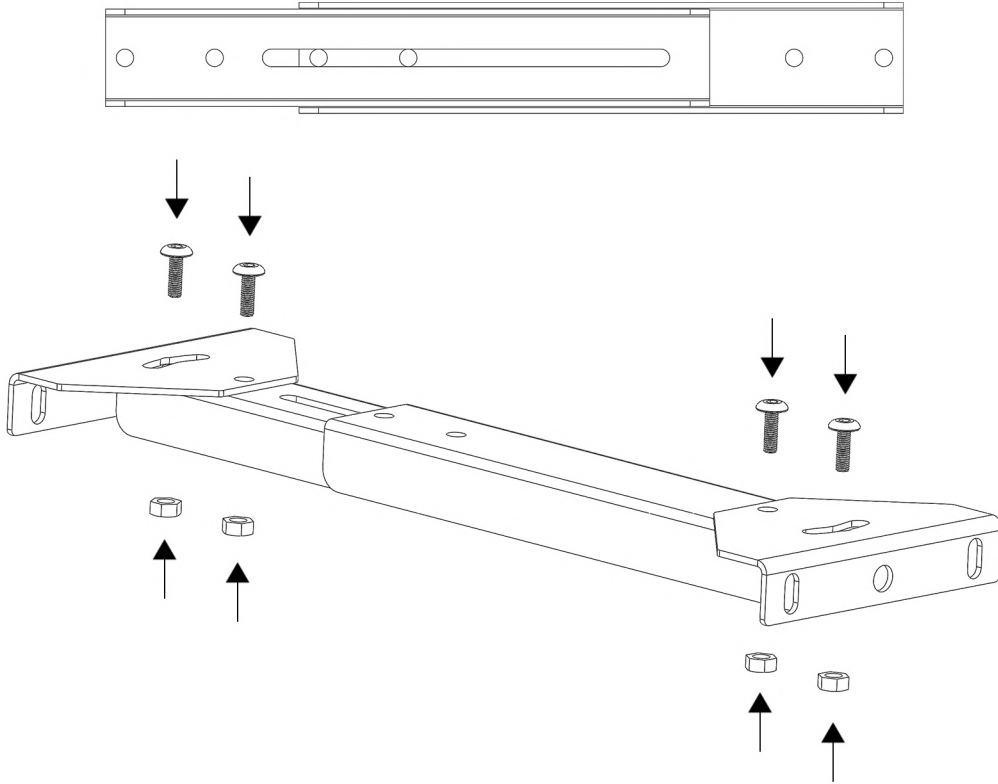


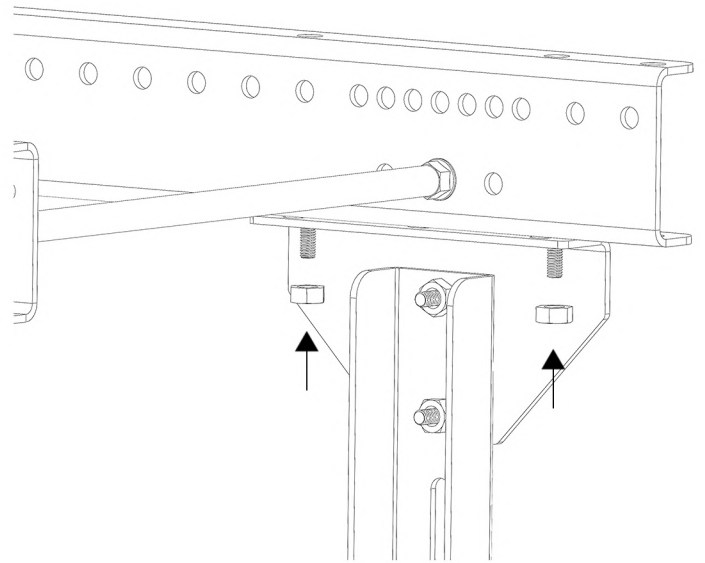
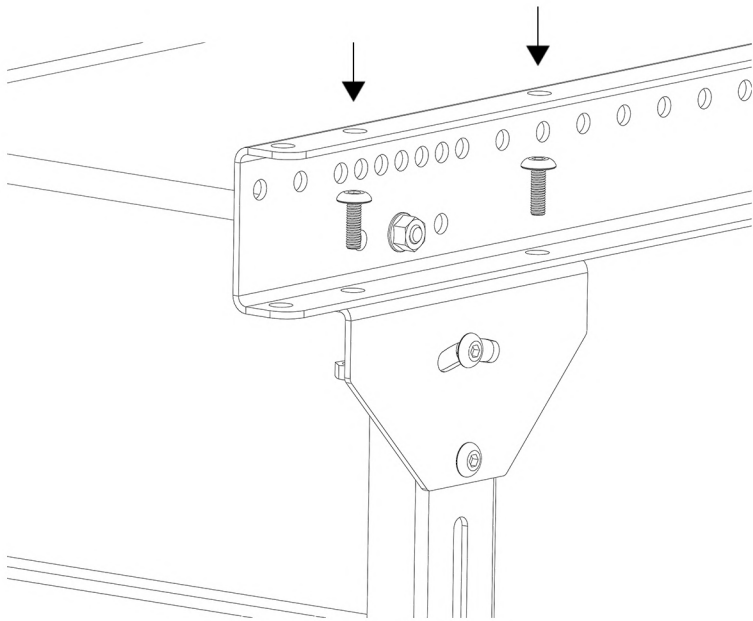
Length: 2400/3000mm

1. Assembly of side profiles

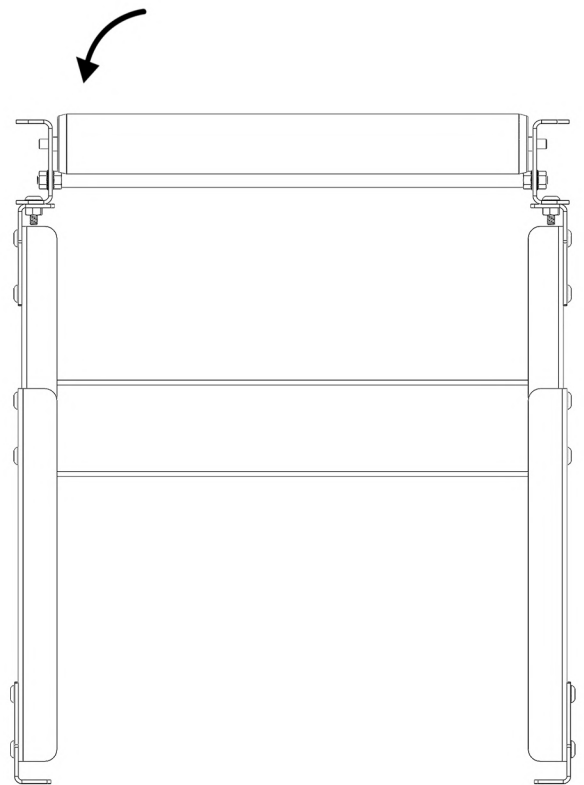
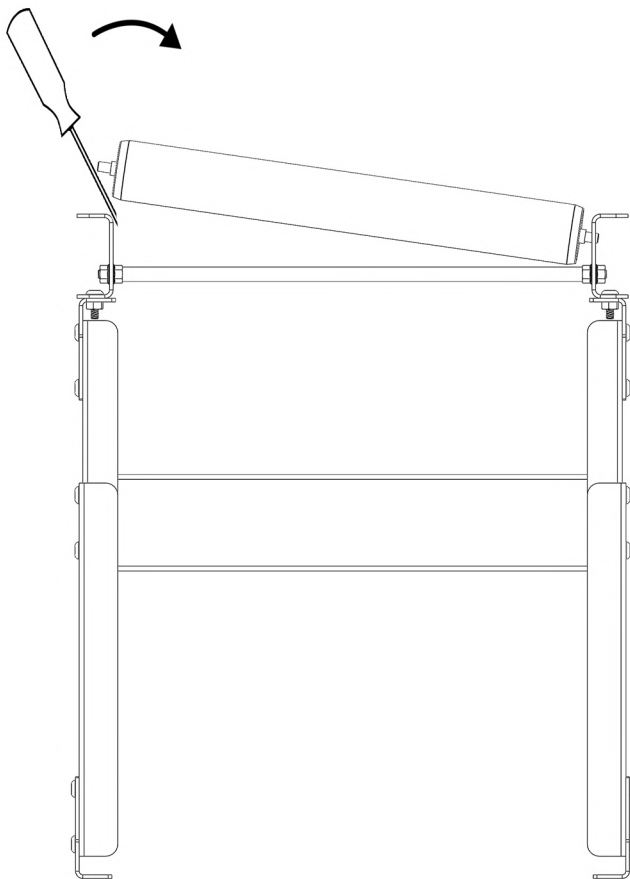
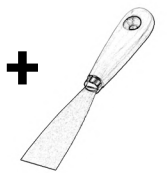


2. Assembly of leg supports





3. Assembly of rolls



4. Assembly of stops

