

Operating instructions

[1856101] Code lock for personal storage



User manual

Code lock for personal storage

Features

- Low battery indicator
- Micro-USB port for external power supply in case of battery exhaustion
- Powered by a 3V CR 2032 battery
- 4-15 digit user code
- Code is also stored after battery change
- Code blocking mode for multiple incorrect code attempts
- Fake code function
- Public and private mode

Function description

Public mode: In the public mode, the user code can only be used one time. After unlocking, the code is erased from the lock, allowing a new user code to be used. The lock stays open until a new code is used for locking. This mode is suitable for environments where users change frequently, and the lock is only used temporarily or once.

Private mode: The lock use a specific user code, but is still accessible with a master code in case of emergency. This mode is suitable for users that are not changed very often.

User code: The user code is the code that is normally used for daily use.

Master code: The master code is used to configure the lock for different modes. This code can also be used to unlock the lock in both public and private mode. By using the master code, the stored user code will be erased and replaced with factory default user code, which is "1234".

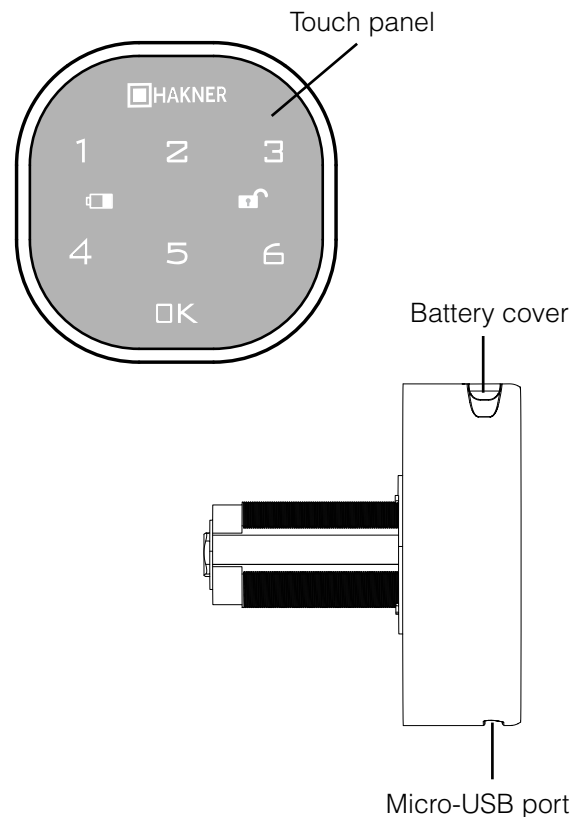
Low battery indicator: When entering the code, the low battery indicator will be visible if the battery voltage is low. If you see this indicator, replace the battery as soon as possible. If the battery is completely exhausted, you can use an external power source via the Micro-USB port, such as a portable power bank.

Fake code function: When enabled, the user can enter any number before or after their code, preventing other people to see the real code.

Maximum length is 15 numbers.

Wrong code block: If entering wrong code four times in a row, the lock will reject any entered code for 60 seconds.

Overview



 Low battery voltage indicator light

 Unlocking indicator light

Operating the lock

Factory codes

The lock is delivered with default factory codes. These are only used for configuring the lock and needs to be changed to your own codes!

Default user code: 1234

Default master code: see your user manual included with the lock.

Unlock - Private & public mode

1. Enter your user code and press OK, a long beep and a green unlocking symbol confirms correct code.
2. Rotate the knob within 3 seconds to open the lock.

Unlock with master code

1. Enter your master code and press OK, a long beep and a green unlocking symbol confirms correct code.
In private mode: the user code is reset to factory "1234".
In public mode: the active user code is deleted.

Lock - Private mode

1. Rotate the knob to lock position.

Lock - Public mode

1. Rotate the lock to its original position. Press OK and enter a user code, 4-15 digits.
2. Press OK. A long beep sound and red LED light confirms the procedure.
The code is only valid for one opening.

Settings

1. Change to public mode

1. Enter your master code and press OK, a long beep and a green unlocking symbol confirms correct code.
2. Press and hold the OK button again for at least 2 seconds. The green unlocking symbol starts flashing.
3. Press OK and enter "44" and OK again. A long beep confirms the change to public mode.

2. Change to private mode

1. Enter your master code and press OK, a long beep and a green unlocking symbol confirms correct code.
2. Press and hold the OK button again for at least 2 seconds. The green unlocking symbol starts flashing.
3. Press OK and enter "43" and OK again. A long beep confirms the change to private mode.

3. Set master code

1. Enter your current **master code** and press OK, a long beep and a green unlocking symbol confirms correct code.
2. Press and hold the OK button again for at least 2 seconds. The green unlocking symbol starts flashing.
3. Enter the new master code and press OK. A long beep confirms the change of master code.

Note: The code need to be 4-15 digits long. User code and master code cannot be the same.

4. Set user code in private mode

1. Enter your current **user code** and press OK, a long beep and a green unlocking symbol confirms correct code.
2. Press and hold the OK button again for at least 2 seconds. The green unlocking symbol starts flashing.
3. Enter the new user code and press OK. A long beep confirms the change of user code.

5. Reset user code

Enter your master code and press OK, a long beep and a green unlocking symbol confirms correct code.
In private mode: the user code is reset to factory "1234".
In public mode: the active user code is deleted.


6. Reset master code

If the master code has been lost, contact your seller for a Micro-USB master key that will reset your lock to factory settings.

7. Turn on/off fake code function

1. Enter your master code and press OK, a long beep and a green unlocking symbol confirms correct code.
2. Press and hold the OK button again for at least 2 seconds. The green unlocking symbol starts flashing.
3. Enable: Press OK and enter "42" and OK again. A long beep confirms fake code function **enabled**.
Disable: Press OK and enter "41" and OK again. A long beep confirms fake code function **disabled**.

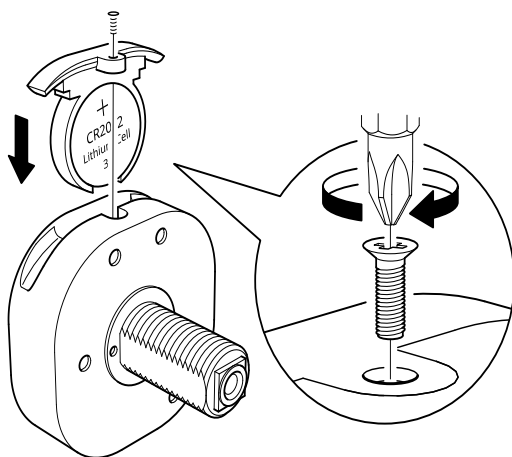
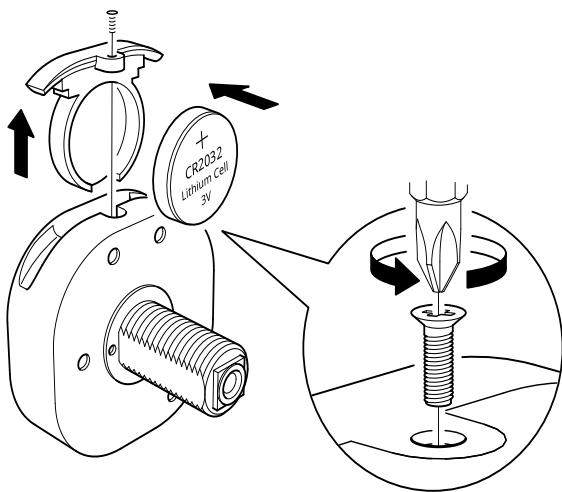
Troubleshooting

Problem	Cause	Solution
When entering the password, the lock will beep two times while symbols flashes one time.	Too low voltage	Replace the battery
When entering the password, the lock will beep one time while  symbol is on.	The knob is not in the correct position	Turn the knob in the correct position
It is possible to open the lock without entering any password.	Lock buzzer is broken	Replace the lock

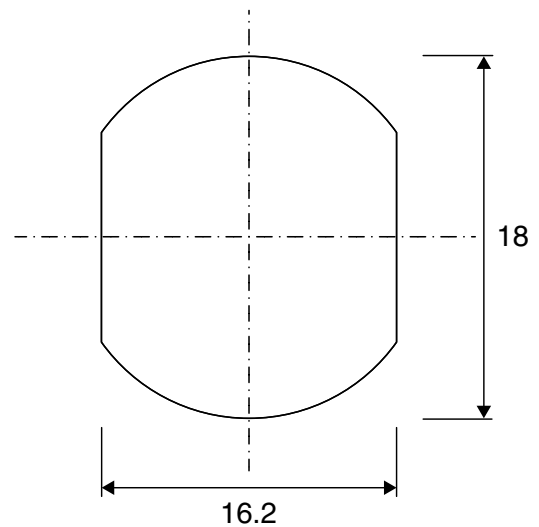
Battery & mounting hole

Battery insert

Battery type: 1pcs CR2032 3V



Mounting hole



Disposal



The crossed-out wheeled bin symbol indicates that the item must not be disposed of with normal, unsorted general waste. The item must be sent to separate collection facilities for recovery and recycling in accordance with local waste disposal regulations.

By separating electronic equipment and batteries from general waste, you help reduce the volume of waste sent to incineration or landfill and minimise any potential negative effects on the environment and human health.